

**US** INSTALLATION INSTRUCTION - NEUTRAL TOW INDICATOR

**E** INSTRUCCIONES DE INSTALACION - INDICADOR NEUTRAL DEL REMOLQUE

**F** INSTRUCTIONS D'INSTALLATION - INDICATEUR NEUTRE DE REMORQUAGE

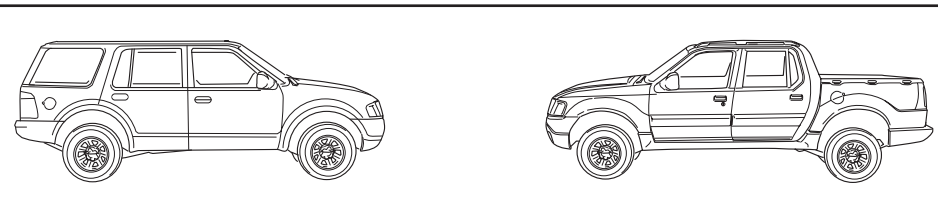


Subject to alteration without notice  
Reservadas modificaciones técnicas  
Sous réserve de modifications techniques

**EXPLORER WITH 4.0L (V6) /4WD AUTOMATIC TRANSMISSION (EXCLUDING AWD) 2001** →

**EXPLORER WITH 4.6L (V8) /4WD AUTOMATIC TRANSMISSION (EXCLUDING AWD) 2001-2005**

**EXPLORER SPORT TRAC WITH 4.0L (V6) /4WD AUTOMATIC TRANSMISSION (EXCLUDING AWD) 2007** →



PERSONAL INJURY  
LESIONES PERSONALES  
RISQUE DE BLESSURE



VEHICLE DAMAGE  
DANO DE VEHICULO  
DOMMAGE AU VEHICULE



INCORRECT  
INCORRECTO  
INCORRECT



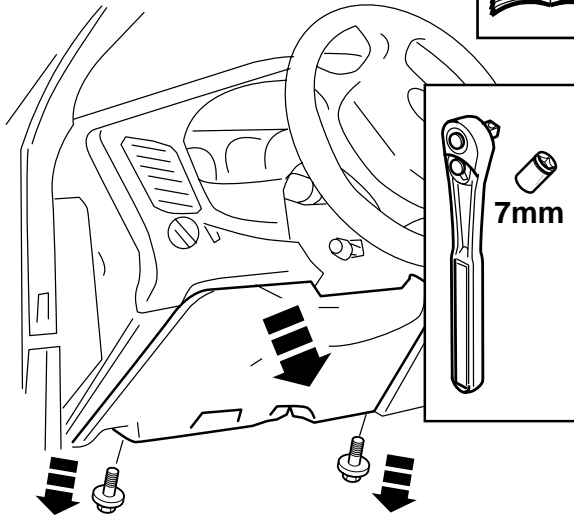
CORRECT  
CORRECTO  
CORRECT



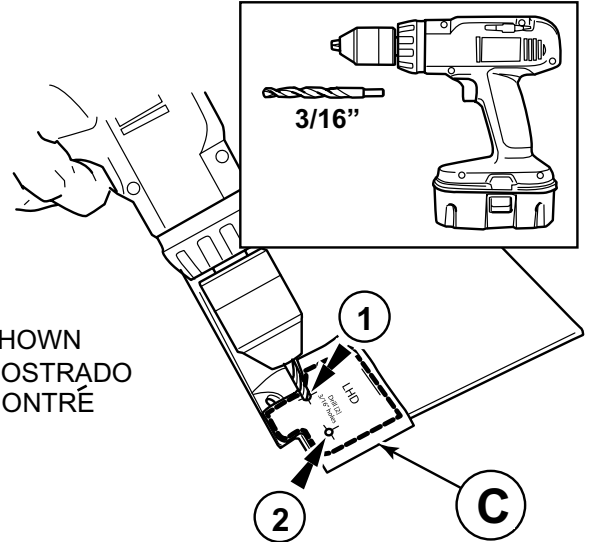
SEE MANUAL  
VER MANUAL  
VOIR LE MANUEL

<p><b>A</b></p>	<p><b>B</b></p>	<p><b>C</b></p>	<p><b>D</b></p>	<p><b>E</b></p>	
<p><b>H</b></p> <p><b>⚠ WARNING!</b> THIS VEHICLE HAS NEUTRAL TOW CAPABILITY. PARKING BRAKE MUST BE SET AND WHEELS MUST BE BLOCKED BEFORE DISCONNECTING THE BATTERY. FAILURE TO FOLLOW THESE INSTRUCTIONS COULD RESULT IN UNEXPECTED VEHICLE MOVEMENT. See Owner Guide and Supplement for additional instructions. (2) 911-113-1000-CA</p> <p><b>F67A-7E385-CA</b></p>	<p><b>F</b></p> <p><b>⚠ WARNING!</b> TO AVOID PERSONAL INJURY OR PROPERTY DAMAGE: This vehicle has neutral tow capability. Always keep the parking brake set and wheels blocked when disconnecting the battery. Failure to follow these instructions could result in unexpected vehicle movement. See Owner Guide and Supplement for additional instructions. (2) 911-113-1000-FA</p> <p><b>TO SET THE NEUTRAL TOW FEATURE, DO THE FOLLOWING:</b></p> <ol style="list-style-type: none"> <li>1. Disconnect the battery.</li> <li>2. Block the wheels.</li> <li>3. Set the parking brake.</li> <li>4. Turn the ignition key to the ON position and the transmission shift lever to the NEUTRAL position.</li> <li>5. Turn the ignition key to the OFF position.</li> <li>6. Repeat steps 1 through 5.</li> </ol> <p><b>TO SET THE NEUTRAL TOW FEATURE, DO THE FOLLOWING:</b></p> <ol style="list-style-type: none"> <li>1. Disconnect the battery.</li> <li>2. Block the wheels.</li> <li>3. Set the parking brake.</li> <li>4. Turn the ignition key to the ON position and the transmission shift lever to the NEUTRAL position.</li> <li>5. Turn the ignition key to the OFF position.</li> <li>6. Repeat steps 1 through 5.</li> </ol> <p><b>1L24-7E385-FA</b></p>		<p><b>TOOLS REQUIRED</b> <b>HERRAMIENTAS NECESARIAS</b> <b>OUTILS NÉCESSAIRES</b></p>		
<p><b>I</b></p> <p><b>⚠ WARNING!</b> NEUTRAL TOW FEATURE IS ENABLED IN THIS MODULE. ALWAYS ENSURE THAT NEUTRAL FEATURE IS ENABLED IN ANY REPLACEMENT MODULE, AND ALL ASSOCIATED LABELS ARE INSTALLED. DO NOT USE THIS MODULE TO REPLACE A MODULE THAT DOES NOT HAVE THE NEUTRAL TOW FEATURE ENABLED. See Owner Guide and Supplement for additional instructions. (2) 911-113-1000-DA</p> <p><b>1L24-7E385-DA</b></p>	<p><b>G</b></p> <p><b>⚠ WARNING!</b> TO AVOID PERSONAL INJURY OR PROPERTY DAMAGE: This vehicle has neutral tow capability. Always keep the parking brake set and wheels blocked when disconnecting the battery. Failure to follow these instructions could result in unexpected vehicle movement. See Owner Guide and Supplement for additional instructions. (2) 911-113-1000-EA</p> <p><b>TO SET THE NEUTRAL TOW FEATURE, DO THE FOLLOWING:</b></p> <ol style="list-style-type: none"> <li>1. Disconnect the battery.</li> <li>2. Block the wheels.</li> <li>3. Set the parking brake.</li> <li>4. Turn the ignition key to the ON position and the transmission shift lever to the NEUTRAL position.</li> <li>5. Turn the ignition key to the OFF position.</li> <li>6. Repeat steps 1 through 5.</li> </ol> <p><b>1L24-7E385-EA</b></p>		<p><b>J</b></p>		
<p>PG 1/8</p>	<p>1L2Z-7H332-AB</p>	<p>SK1L2J-7H332-AE</p>	<p>© Copyright Ford 2005</p>		

1



2

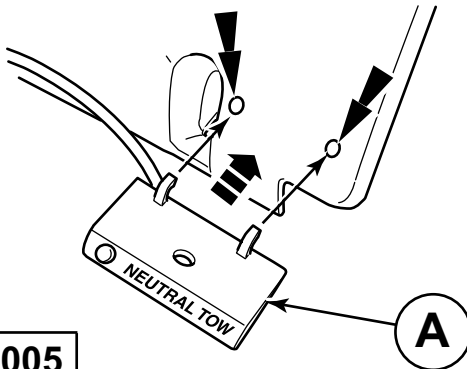


LHD SHOWN  
LHD MOSTRADO  
LHD MONTRÉ

2001 - 2005

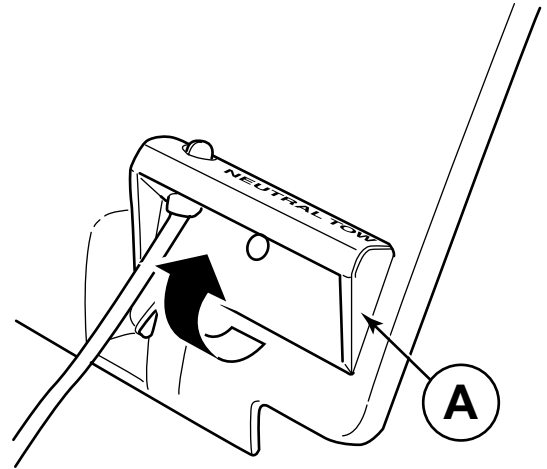
3

INSTALL TABS INTO HOLES  
INSTALE LAS TABULACIONES EN LOS AGUJEROS  
INSTALLEZ LES TABULATEURS SUR DES TROUS



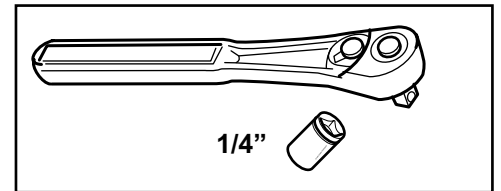
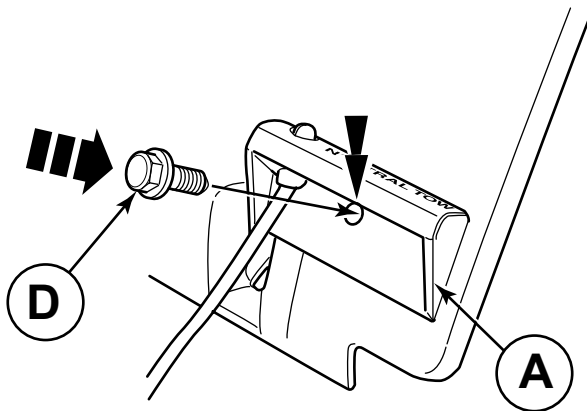
2001 - 2005

4



2001 - 2005

5

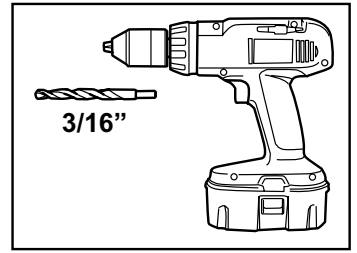
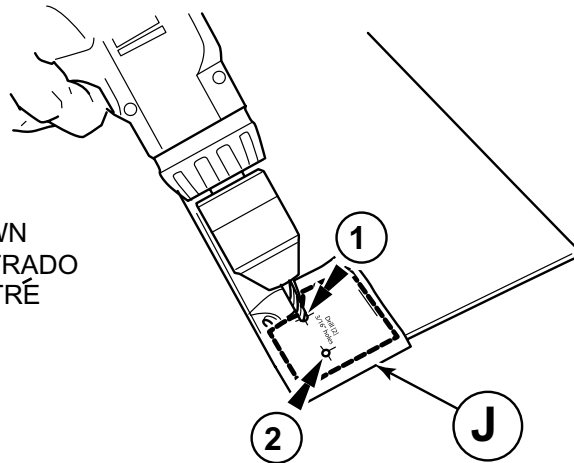


2001 - 2005



6

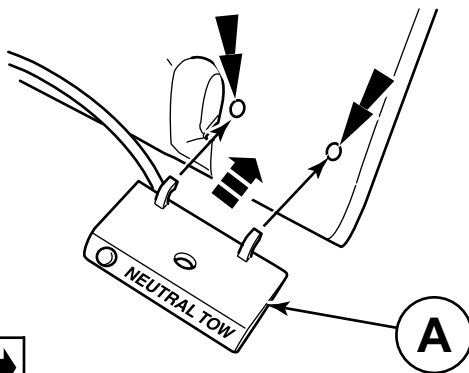
LHD SHOWN  
LHD MOSTRADO  
LHD MONTRÉ



2006 →

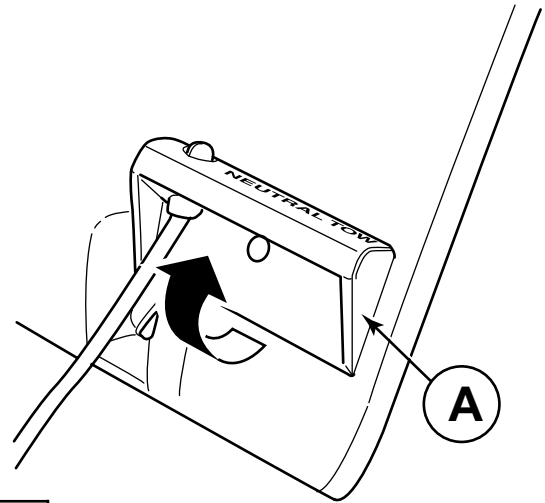
7

INSTALL TABS INTO HOLES  
INSTALE LAS TABULACIONES EN LOS AGUJEROS  
INSTALLEZ LES TABULATEURS SUR DES TROUS



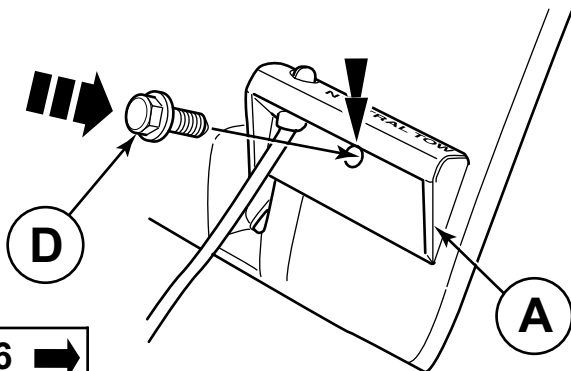
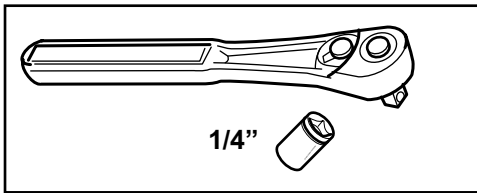
2006 →

8



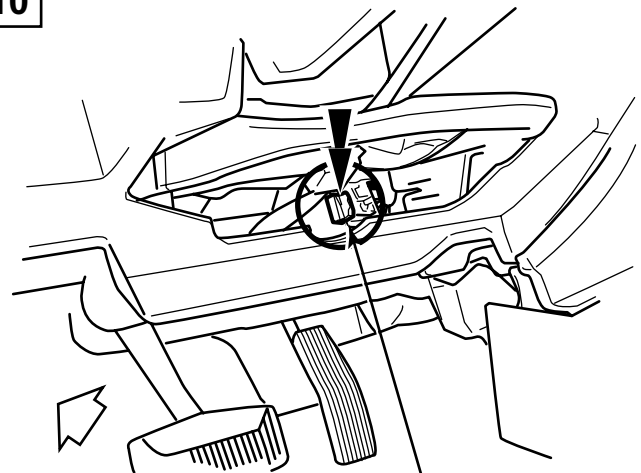
2006 →

9



2006 →

10



LOCATE GREEN CONNECTOR  
LOCALICE VERDE EL CONECTOR  
LOCALISEZ VERT LE CONNECTEUR



1

E

2

A

A

13

G



LABEL PLACED ON HEADLINER, CENTERED OFF OF DRIVER'S SUNVISOR  
 ESCRITURA DE LA ETIQUETA PUESTA EN EL HEADLINER, CENTRADO  
 APAGADO DEL SUNVISOR DEL PROGRAMA PILOTO  
 ETIQUETTE PLACEE SUR LE VEDETTE, CENTRE HORS FONCTION DU  
 SUNVISOR DU GESTIONNAIRE

14

**⚠ WARNING!**  
**TO AVOID PERSONAL INJURY OR PROPERTY DAMAGE:**

THIS VEHICLE HAS NEUTRAL TOW CAPABILITY. ALWAYS VERIFY THAT A LOW OR DEAD BATTERY CONDITION DOES NOT EXIST WHEN SHIFTING THE TRANSFER CASE INTO OR OUT OF NEUTRAL. ALWAYS APPLY THE PARKING BRAKE AND REMOVE THE KEY WHEN THE VEHICLE IS IN PARK. WHEN THE TRANSFER CASE IS IN THE NEUTRAL POSITION, THE ENGINE AND TRANSMISSION ARE DISCONNECTED FROM THE REST OF THE DRIVELINE AND THE VEHICLE IS FREE TO ROLL. MAKE SURE THE VEHICLE IS PROPERLY PREPARED FOR TOWING BEFORE SHIFTING THE TRANSFER CASE INTO NEUTRAL.

**TO SHIFT THE TRANSFER CASE INTO NEUTRAL FOR TOWING:**

1. Securely attach vehicle to towing vehicle.
2. Start the engine to make sure that the battery is sufficiently charged.
3. Vehicle must be at a complete stop and shifted into 4x4 AUTO.
4. Place the automatic transmission shifter into NEUTRAL.
5. Turn the ignition switch to the OFF position (i.e. steering not locked).
6. Neutral tow light will initially go through a bulb check; then turn off.
7. Depress the brake pedal and press the 4x4 AUTO pushbutton; hold both for 5 seconds.
8. The neutral tow light will flash; then stay on to indicate the transfer case is in neutral.
9. Leave ignition switch in the OFF position and the transmission shifter in NEUTRAL while the vehicle is in tow.

**DO NOT DISCONNECT TOWED VEHICLE BEFORE PLACING TRANSFER CASE INTO GEAR.**

**TO SHIFT THE TRANSFER CASE OUT OF NEUTRAL AFTER TOWING:**

1. Make sure the vehicle is at a complete stop.
2. With the brake depressed, turn the ignition to the ON (not START) position or move the transmission's shifter out of neutral.
3. The neutral tow light will turn off to indicate the transfer case is out of neutral.
4. Start the engine and shift automatic transmission to DRIVE to make sure the vehicle is out of neutral.
5. If the battery is low/dead or the vehicle does not shift out of neutral, set the parking brake until the vehicle can be serviced.

SEE OWNER GUIDE FOR ADDITIONAL INSTRUCTIONS. W1L2Z-7H332-A1

Contents

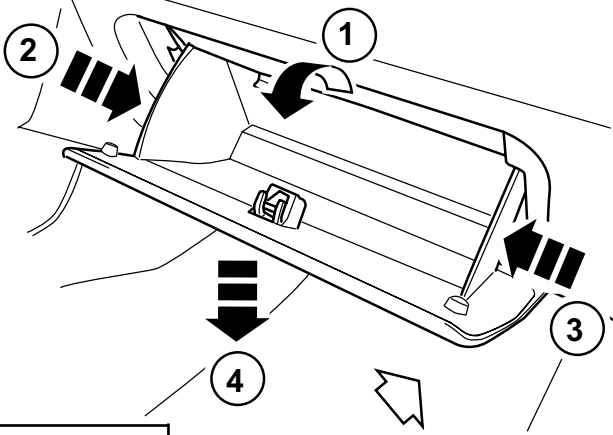
Before driving	
Introduction	3
Instrumentation	4
Controls and features	17
Seating and safety restraints	76
Starting and driving	
Shifts	110
Driving	118
Procedural emergencies	141
Service	
Maintenance and care	164
Capacities and specifications	213
Customer assistance	230
Reporting safety defects	233
Index	233

PLACE LABEL ON INSIDE FRONT COVER  
 PONGA LA PORTADA DE LA INTERIOR DE LA ESCRITURA DE LA ETIQUETA ENCENDIDO  
 PLACEZ LA COUVERTURE D'INTÉRIEUR D'ÉTIQUETTE EN FONCTION

1L2Z-7H332-AB

SK1L2J-7H332-AE

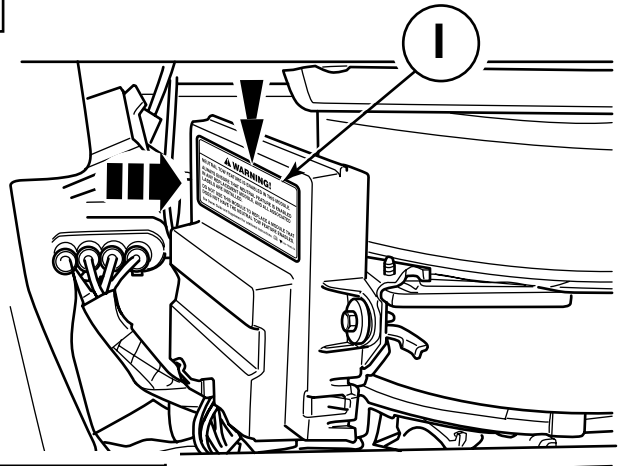
15



2001 - 2003

2006 →

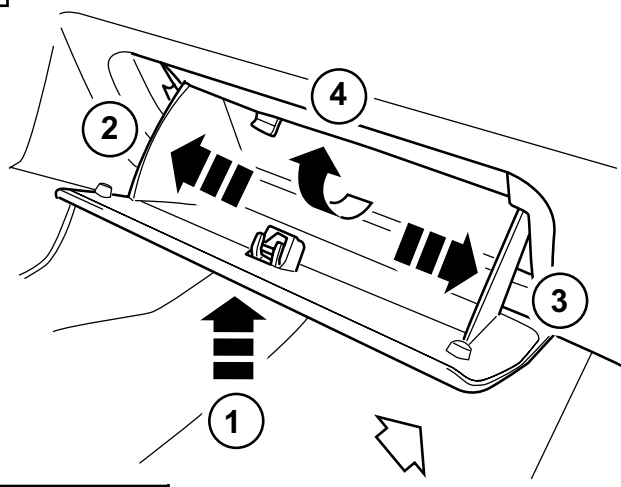
16



2001 - 2003

2006 →

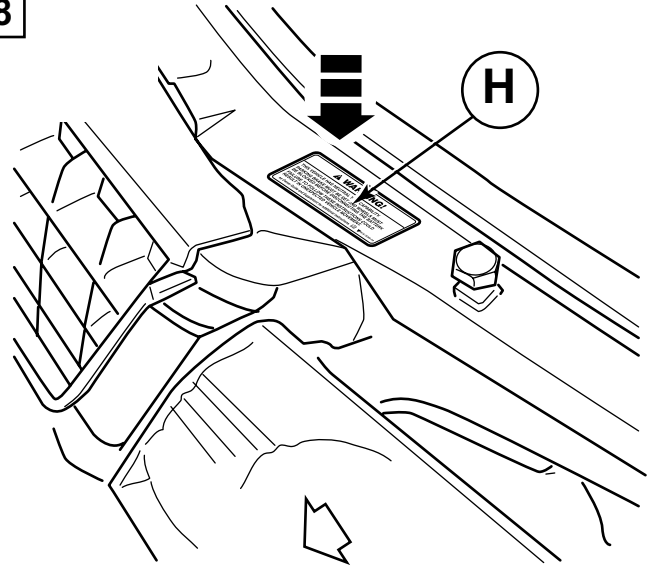
17



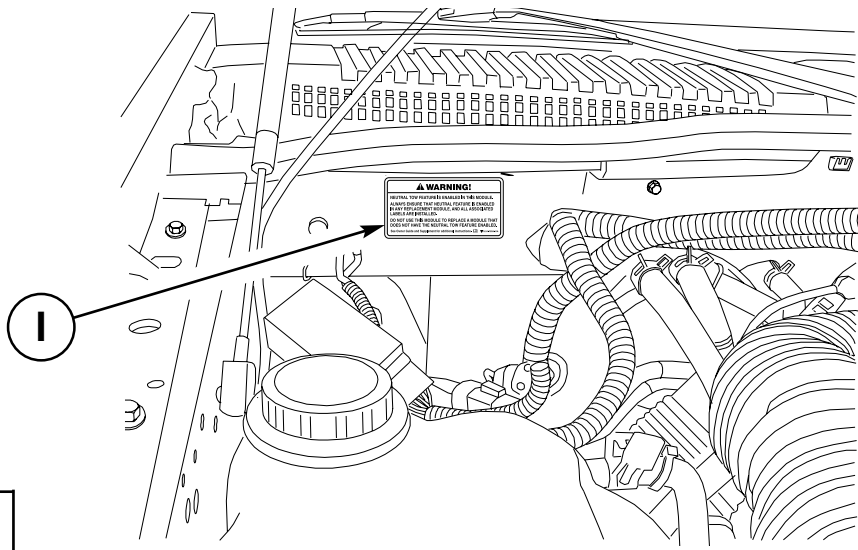
2001 - 2003

2006 →

18



19



2004 - 2005

USING NGS SERVICE (GREEN) CARD  
 CONNECT TO VEHICLE VIA THE DIAGNOSTIC CONNECTOR  
 SELECT "SERVICE BAY FUNCTIONS"  
 SELECT "4X4 CONTROL MODULE"  
 SELECT "NEUTRAL TOW FUNCTION"  
 SELECT "EXPLORER"  
 PRESS TRIGGER AND SCROLL TO ENABLE OR DISABLE  
 PRESS TRIGGER AGAIN AFTER HIGHLIGHTING THE DESIRED STATE  
 PRESS "DONE"

USING NGS+  
 SELECT PROPER VEHICLE AND MODEL YEAR  
 SELECT DIAGNOSTIC DATA LINK  
 SELECT 4X4 MODULE  
 SELECT FUNCTION TESTS  
 SELECT NEUTRAL TOW ENABLE  
 SCROLL TO ENABLE OR DISABLE NTF AND PRESS TRIGGER

USING WDS  
 CONNECT TO VEHICLE VIA THE DIAGNOSTIC CONNECTOR  
 FOLLOW HOOK UP SCREEN  
 AFTER WDS DISPLAYS VEHICLE INFO, SELECT TOOL BOX ON TOP OF SCREEN  
 FROM ON SCREEN MENU SELECT "MODULE PROGRAMMING"  
 SELECT "PROGRAMMABLE PARAMETERS"  
 SELECT "NEUTRAL TOW FUNCTION"  
 FOLLOW INSTRUCTIONS ON THE WDS TO COMPLETE OPERATION

FOLLOW INSTRUCTIONS ON THE LABEL ON THE HEADLINER / VISOR LABEL TO ENABLE AND DISABLE NEUTRAL FUNCTION.

USANDO SERVICIO DE NGS (VERDE) TARJETA  
 CONECTE CON EL VEHÍCULO VIA DE DIAGNÓSTICO EL CONECTOR  
 SELECCIONE "LAS FUNCIONES DE LA BAHÍA DEL SERVICIO"  
 SELECCIONE "EL MÓDULO DE CONTROL 4X4"  
 SELECT "NEUTRAL TOW FUNCTION"  
 SELECCIONE EL "EXPLORADOR"  
 PRESIONE EL DISPARADOR Y ENRÓLLELO PARA PERMITIR O PARA INVALIDAR  
 PRESIONE EL DISPARADOR OTRA VEZ DESPUÉS DE DESTACAR DESEADO EL ESTADO  
 PRESIONE "HECHO"

UTILIZANDO NGS+  
 SELECCIONE VEHÍCULO Y MODELO CORRESPONDIENTE  
 SELECCIONE DIAGNOSTIC DATA LINK (ENLACE DE DATOS DE DIAGNÓSTICO)  
 SELECCIONE 4X4 MODULE (MÓDULO 4X4)  
 SELECCIONE FUNCTION TESTS (PRUEBAS DE FUNCIÓN)  
 SELECCIONE NEUTRAL TOW ENABLE (ACTIVAR REMOLQUE NEUTRAL)  
 DESPLAZA PARA ACTIVAR (ENABLE) O DESACTIVAR  
 (DISABLE) LA FUNCIÓN DE REMOLQUE NEUTRAL Y PRESIONE EL DISPARADOR

EL USAR WDS  
 CONECTE CON EL VEHÍCULO VÍA DE DIAGNÓSTICO EL CONECTO  
 SIGA EL GANCHO ENCIMA DE LA PANTALLA  
 DESPUÉS DE QUE WDS VISUALICE EL VEHÍCULO INFO, SELECCIONE EL "RECTÁNGULO DE LA HERRAMIENTA"  
 ENCIMA DE LA PANTALLA  
 SELECCIONE LOS "PARÁMETROS PROGRAMABLES"  
 SELECCIONE LA "FUNCIÓN NEUTRAL DEL REMOLQUE"  
 SIGA LAS INSTRUCCIONES EN EL WDS DE TERMINAR LA OPERACIÓN  
 SIGA LAS INSTRUCCIONES EN LA ESCRITURA DE LA ETIQUETA EN LA ESCRITURA DE LA ETIQUETA DEL HEADLINER / DEL VISERA DE PERMITIR Y DE INVALIDAR LA FUNCIÓN NEUTRAL.

EN UTILISANT LE SERVICE DE NGS (VERTE) CARTE  
 RELIEZ AU VEHICULE PAR L'INTERMÉDIARE DIAGNOSTIQUE DU CONNECTEUR  
 CHOISISSEZ "LES FONCTIONS DE COMPARTIMENT DE SERVICE"  
 CHOISISSEZ "LA MODULE DE COMMANDE 4X4"  
 CHOISISSEZ "LA FONCTION NEUTRE DE REMORQUAGE"  
 CHOISISSEZ L'"EXPLORATEUR"  
 APPUYEZ LE DÉCLENCHEMENT ET LE FAITES DÉFILER POUR PERMETTRE OU INVALIDER  
 APPUYEZ LE DÉCLENCHEMENT ENCORE APRÈS AVOIR MIS EN VALEUR DÉSIRÉ L'ÉTAT  
 APPUYEZ "FAIT".

UTILISER LA CARTE (VERTE) NGS  
 SÉLECTIONNER L'ANNÉE-MODÈLE ET LA MARQUE DE VOTRE VÉHICULE  
 SÉLECTIONNER DIAGNOSTIC DATA LINK (LIEN DE DONNÉES DE DIAGNOSTIC)  
 SÉLECTIONNER 4X4 MODULE  
 SÉLECTIONNER FUNCTION TESTS (TESTS DE FONCTION)  
 SÉLECTIONNER NEUTRAL TOW ENABLE (ACTIVER REMORQUAGE POINT MORT)  
 ACTIVER OU DÉSACTIVER LE REMORQUAGE AU POINT MORT (NTF) ET APPUYER SUR  
 LA GÂCHETTE

UTILISATION WDS  
 RELIEZ AU VÉHICULE PAR L'INTERMÉDIARE DU DIAGNOSTIC CONNECTO  
 SUIVEZ LA CONNEXION L'ÉCRAN  
 APRES QUE WDS AFFICHE L'INFORMATION DE VEHICULE, CHOISISSEZ L'"CADRE D' OUTIL" SUR L'ÉCRAN  
 CHOISISSEZ "LES PARAMÈTRES PROGRAMMABLES"  
 CHOISISSEZ "LA FONCTION NEUTRE DE REMORQUAGE"  
 SUIVEZ LES INSTRUCTIONS SUR LE WDS DE TERMINER L'EXÉCUTION

SUIVEZ LES INSTRUCTIONS SUR L'ÉTIQUETTE SUR L'ÉTIQUETTE DE VEDETTE / PARE SOLEIL DE PERMETTRE ET INVALIDER LA FONCTION NEUTRE.



4X4 MODULE (01-03 MY) (06 MY)  
 C281b PIN 3  
 MÓDULO 4X4  
 (MODELOS DE LOS AÑOS 2001 A 2003)  
 (MODELOS DE LOS AÑOS 2006)  
 C281b CLAVIJA 3  
 MODULE 4X4 (01-03 MY) (06 MY)  
 C281b BROCHE 3

POWERTRAIN CONTROL MODULE (PCM)  
 (04-05 MY)  
 C175b PIN 33  
 MÓDULO DE CONTROL DE TRANSMISIÓN  
 (MODELOS DEL AÑO 2004 A 2005)  
 C175b CLAVIJA 33  
 MODULE DE COMMANDE DU TRAIN  
 MOTOPROPULSEUR (PCM) (04-05MY)  
 C175b BROCHE 33

YELLOW / RED (06 MY)  
 AMARILLO / ROJO  
 (MODELOS DEL AÑO 2006)  
 JAUNE / ROUGE (06 MY)

BROWN / WHITE (01-05 MY)  
 CAFÉ / BLANCO  
 (MODELOS DEL AÑO 2001  
 A 2005)  
 MARRON/BLANC (01-05 MY)  
 BLACK / BROWN (06 MY)  
 NEGRO / CAFÉ (MODELOS  
 DEL AÑO 2006)  
 NOIR / MARRON (06 MY)

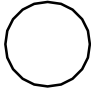
WHITE / YELLOW (01-05 MY)  
 BLANCO / AMARILLO (MODELOS  
 DEL AÑO 2001 A 2005)  
 BLANC / JAUNE (01-05 MY)

CENTRAL JUNCTION BOX (CJB) (01-05 MY) FUSED 15A  
 CAJA DE EMPALMES CENTRAL (CJB) (MODELOS DEL AÑO 2001 A 2005)  
 PROTEGIDO POR FUSIBLE 15A  
 BOÎTIER DE JONCTION CENTRAL (CJB) (01-05 MY)  
 PROTÉGÉ PAR FUSIBLE 15 A

BATTERY JUNCTION BOX (BJB) (06 MY) FUSED 20A  
 CAJA DE ENSAMBLADURA DE BATERÍA (BJB) (MODELOS DEL AÑO 2006)  
 PROTEGIDO POR FUSIBLE 20A  
 BOÎTE DE JONCTION DE BATTERIE (BJB) (06 MY)  
 PROTÉGÉ PAR FUSIBLE 20 A

2 PIN CONNECTION  
 CONEXIÓN DE 2  
 CLAVIJAS  
 CONNEXION À 2  
 BROCHES

NEUTRAL TOW DISPLAY  
 PANTALLA DEL REMOLQUE NEUTRAL  
 AFFICHAGE DE REMORQUAGE AU POINT  
 MORT



BLACK  
 NEGRO  
 NOIR

RED  
 ROJO  
 ROUGE

RED  
 ROJO  
 ROUGE

BLACK  
 NEGRO  
 NOIR

### **Congratulations!**

You've purchased a Genuine Ford Brand Accessory designed, engineered, and built specifically for your Ford vehicle. We have made every effort to ensure that the Neutral Tow Indicator is top quality in terms of fit, durability, finish and ease of installation.

At Ford Customer Service Division,  
customer satisfaction is our number one priority!

### **¡Felicidades!**

Acaba de comprar un Accesorio marca Ford Genuino, diseñado y construido específicamente para su vehículo Ford. Hemos realizado todos los esfuerzos necesarios para que este Indicador Neutral Del Remolque sean de la mejor calidad en cuanto a ajuste, durabilidad, acabado y facilidad de instalación.

¡Para la División de Atención al Cliente de Ford, la satisfacción del cliente es nuestra principal prioridad!

### **Félicitations !**

Vous avez acheté un accessoire Ford d'origine, conçu et réalisé spécialement pour votre véhicule Ford. Nous avons tout mis en œuvre pour que ces Indicateur Neutre De Remorquage soit de la plus haute qualité au niveau de l'adaptabilité, de la durabilité de la finition et de la facilité d'installation.

Dans la division du service après-vente Ford, la satisfaction du client a priorité absolue !



Ford Customer Service Division

